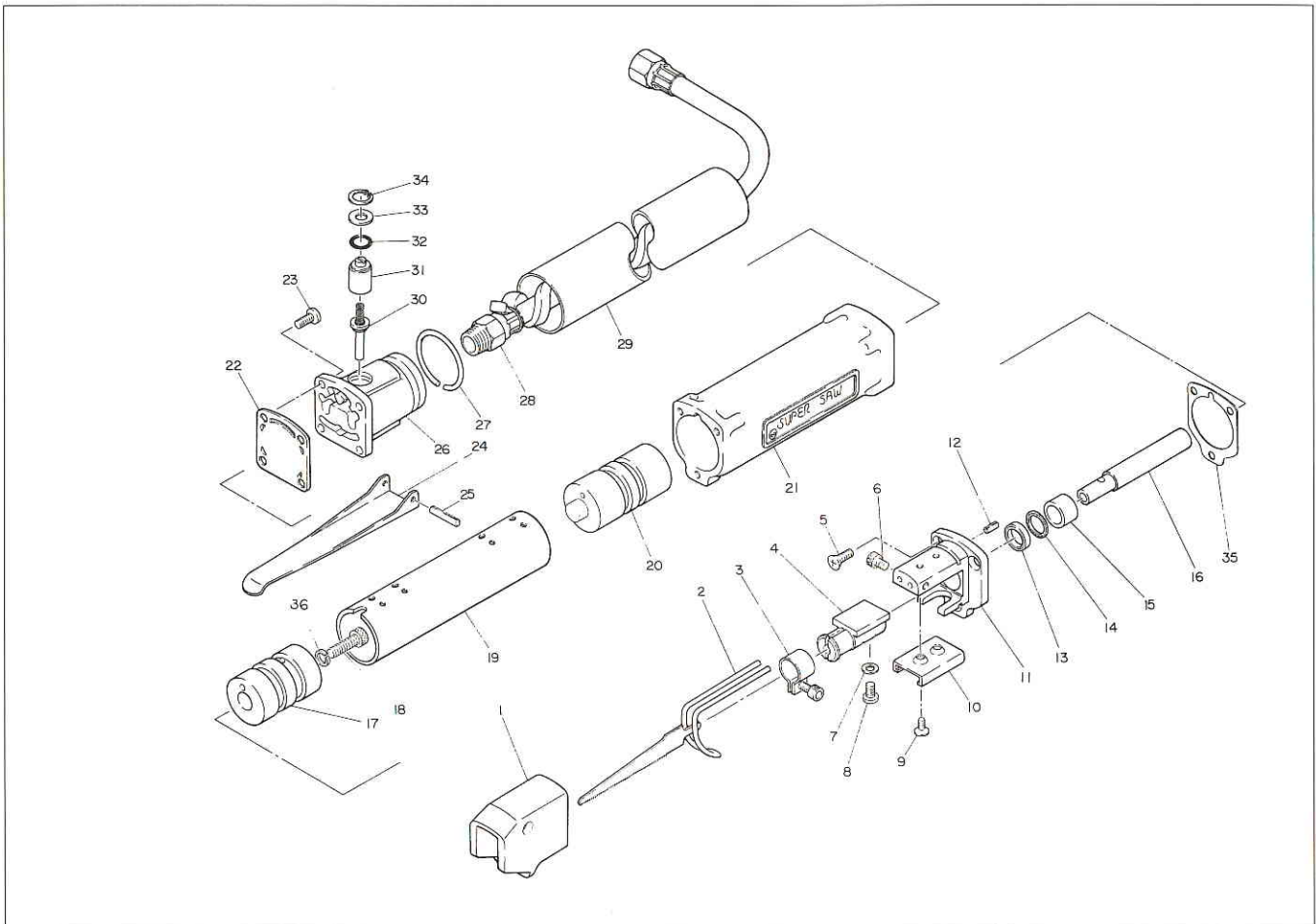


# SUPER SAW SSW-26A ASSEMBLY AND PARTS LIST



No.	Part No.	Part Name	Q'ty	Price
1	TP16057	Cover	1	
2	TP16638	Supporter	1	
3	TP18467	Collar	1	
4	TP06141	Hex. Socket Head Set Screw 6×6	2	
5	TA9B002	Guide Shaft Sub Ass'y	1 set	
6	TP09433	⊕Screw 4×10	3	
7	TP16405	Hex. Socket Head Bolt 4×5	2	
8	TP00155	⊕Screw 3×8	2	
9	TP16054	Guide Holder	1	
10	TB00343	Cylinder Head Sub Ass'y	1set	
11	TP01920	Spring Pin 3×8	1	
12	TP03978	Oil Seal G10×14×3	1	
13	TA9A101	U Seal Ass'y	1 set	
14	TP16060	Sleeve Bearing R-AR1010	1	
15	TP16399	Packing B	1	
16	TP16465	Piston B	1	
17	TP00513	Spring Washer M5	1	
18	TP01934	Hex. Socket Head Bolt 5×18	1	
19	TP16049	Cylinder	1	
20	TA9B003	Piston A Ass'y	1 set	

No.	Part No.	Part Name	Q'ty	Price
21	TP16046	Housing	1	
22	TP16050	Packing A	1	
23	LP30334	⊕Screw 4×12	4	
24	TA99773	Lever Ass'y	1 set	
25	TP00460	Spring Pin 3×22	1	
26	TP16047	Valve Body	1	
27	(TP09153)	Stop Ring O-27×2.6	1	
28	(TA92609)	Air Hose Ass'y 1/4	1 set	
29	(TP09485)	Exhaust Hose	1	
30	TA93070	Valve Stem Ass'y	1 set	
31	TP06325	Adjust Valve	1	
32	TP11997	O-Ring KS-7	1	
33	TP06326	Spacer 6×12×1.2	1	
34	TP03695	Retaining Ring C-12	1	

## ACCESSORIES

	TP16067	Saw Blade 32	2	
	TP04696	Hex. Wrench Key 3	1	
	TP02380	Hose Nipple NPT 1/4×3/8	1	